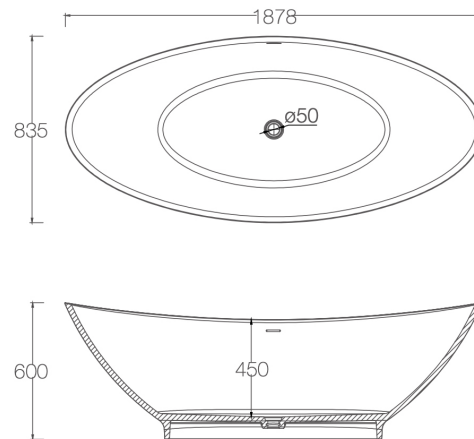


Bathtub Design LSD 1 freestanding

Dimensions	1878mm x 835mm x 600mm
Material	Resin Mould
Interior finish	Mother Of Pearl
Exterior finish	Mother Of Pearl
Tapholes	No
Overflow	Yes
Wastepipe	1000mm
Stopper	Yes in Mother of Pearl or Metal
Capacity	205L
Weight	130kg

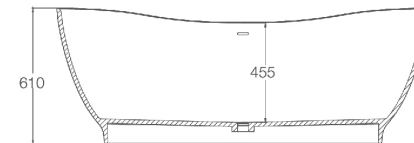
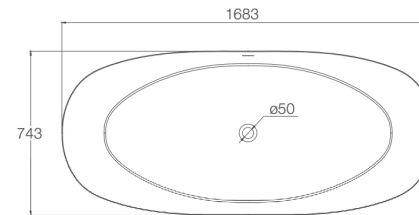
1878x835x600mm



Bathtub Design LSD 2 freestanding

Dimensions	1683mm x 743mm x 610mm
Material	Resin Mould
Interior finish	Mother Of Pearl
Exterior finish	Mother Of Pearl
Tapholes	No
Overflow	Yes
Wastepipe	1000mm
Stopper	Yes in Mother of Pearl or Metal
Capacity	190L
Weight	125kg

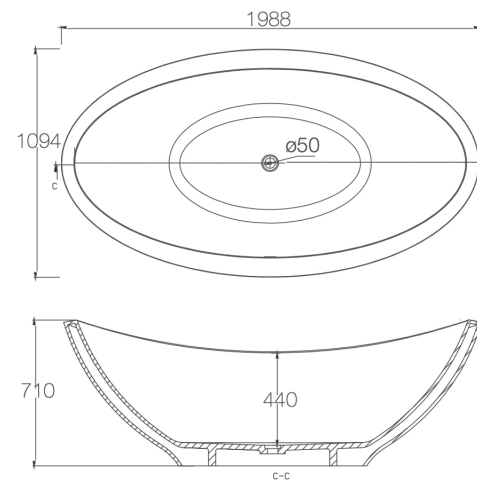
1683X743X610mm



Bathtub Design LSD 3 feestanding

Dimensions	1988mm x 1094mm x 710mm
Material	Resin Mould
Interior finish	Mother Of Pearl
Exterior finish	Mother Of Pearl
Tapholes	No
Overflow	Yes
Wastepipe	1000mm
Stopper	Yes in Mother of Pearl or Metal
Capacity	220L
Weight	130kg

1988x1094x710mm



GENERAL MAINTENANCE FOR SHELL BATH TUBS & WASH BASINS

- This is a 100% organic bathtub made from polished mother of pearl sea shell and is also guaranteed for water tightness.
- Mother of pearl is mainly composed of calcium carbonate so it has an adversivity to acid and alkali. Using weak products with acid and alkali cannot constitute to the damage of the shell or the shine.
- The general maintenance of the mother of pearl bathtubs and wash basins is to wipe very clean with a wet or damp cloth and avoid sharp metal objects or abrasive material that could damage the outer/inner surface of the shell.
- As the sea shell comes from an original seawater environment the shell is protected by nature with the water, therefore to keep a 100% beautiful bathtub wipe down the bathtub often with a damp cloth and keep away from very bright sunlight.
- This bathtub is also suitable for floor heating system.